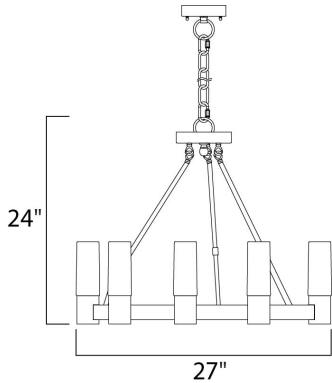


PRODUCT DESCRIPTION

The Contessa collection is a Soft Modern design combining elements of traditional brass heritage and contemporary elongated glass. The cylindrical shades are made of etched opal Satin White glass providing a soft diffused light while adding a contemporary flair to the design. The frames are constructed of rectangular tubing finished in our Natural Aged Brass softening the modern approach of the design.



MEASUREMENTS

DIMENSION : 27" L x 27" W x 24" H
 MAX OAH : 36" OAH
 HANGING WEIGHT : 23.1 lb

LAMPING

INPUT VOLTAGE : 120V
 BULB : 9 x 40W Incandescent E12 Candelabra , 360W Total
 BULB INCLUDED : (Not Included)
 DIMMABLE : Yes

FINISHES OPTION

 Natural Aged Brass (NAB)

GLASS

Satin White SW

MATERIAL

Steel, Glass

RATINGS

cETLus
 Dry Location



ADDITIONAL

OPERATING TEMPERATURE:
 -20°C (-4°F), 40°C (104°F)

Always consult a qualified electrician before installing any lighting product.



WESTERN DISTRIBUTION CENTER (HEADQUARTER)
 253 NORTH VINELAND AVE | CITY OF INDUSTRY, CA 91746

EASTERN DISTRIBUTION CENTER
 101 GARDNER PARK | PEACHTREE CITY, GA 30269

P. 626.956.4200 | F. 626.956.4225 | maximlighting.com